

340AJ

ARTICULATING BOOM LIFT



Performance

Platform Height	10.33 m
Working Height	12.33 m
Horizontal Outreach	6.06 m
Up and Over Clearance	5.17 m
Swing	355 Degrees Non-Continuous
Platform Capacity	230 kg
Platform Size	0.76 x 1.52 m
Platform Rotator	180 Degrees Hydraulic
Jib	1.22 m
Jib Range of Articulation	144 Degrees (+84, -60)
Weight	4,400 kg
Drive Speed	4.98 km/h
Gradeability	45%
Turning Radius	
Outside	3.96 m
Inside	1.52 m

Standard Specifications

Power Source

Diesel Engine	Kubota D1105
Fuel Tank Capacity	49.2 L

Hydraulic System

Capacity	77.9 L
Auxiliary Power	12V-DC

Tyres

Standard	18 x 7 Non-marking Solid Flex Cushion
----------	---------------------------------------

Standard Features

- 4WD
- 180 Degree Hydraulic Platform Rotator
- Platform Console Machine Status Light Panel*
- 3 Degree Tilt Alarm/Indicator Light
- Swing Out Engine Tray
- 12V-DC Auxiliary Power
- Hourmeter
- Proportional Controls
- Control ADE® System
- Lifting/Tie Down Lugs
- Horn
- Four-Wheel Hydrostatic Drive
- Oscillating Axle
- Operator Tool Tray
- Inward Self-Closing, Self-Locking Swing Gate
- Flashing Amber Beacon
- Motion Alarm
- Glow Plugs (Diesel Engines)

* Provides indicator lights at platform control console for system distress, low fuel, 5 degree tilt light, and foot switch status.



Accessories & Options

- 0.76 x 1.22 m Platform
- 1/2 in. Air Line to Platform
- AC Generator including AC Outlets to Platform
- Light Package
- Platform Worklights
- Mesh to Mid-Rail
- Special Hydraulic Oils (Consult Factory)
- White Noise (Squawker) Motion Alarm
- Accessory Packages
 - SkyGuard®
 - Pipe Rack
 - ClearSky®

Note: Some options may increase lead time, and some option combinations may not be available.

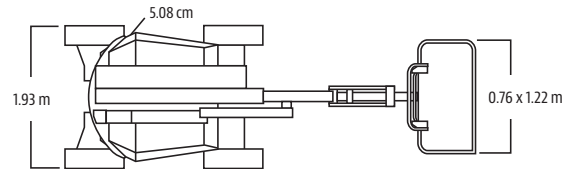
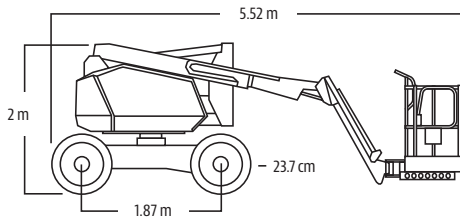
340AJ

ARTICULATING BOOM LIFT

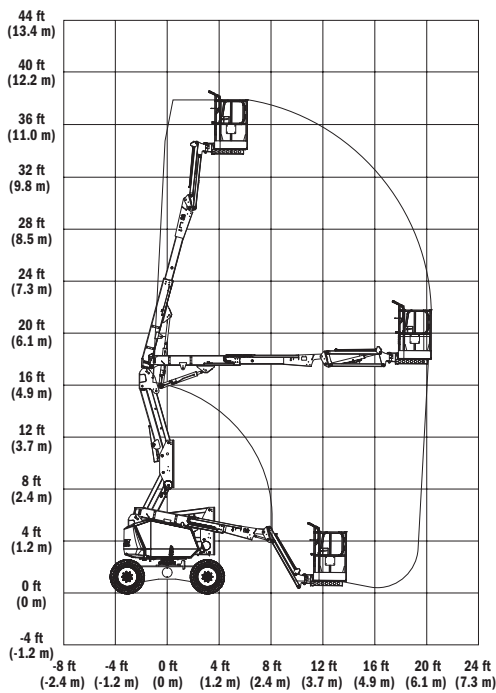


Dimensions

All dimensions are approximate.



Reach Diagram



☎ **1300 BROOKS** (1300 276 657)
 @ sales@brooksaccess.com.au
 🌐 www.brooksaccess.com.au