

600AJ HC3

BOOM LIFT

ARTICULATING HI-CAPACITY BOOM LIFT



HC3

**3 CAPACITY ZONES - EACH
RATED FOR 3 OCCUPANTS +
TOOLS/MATERIALS**

KEY SPECS

Platform Height
60-ft / 18.3-m

Up and Over Height
26-ft 6.4-in / 8.1-m

Horizontal Outreach
40-ft 6.9-in / 12.37-m

Platform Capacity
750/1000-lb / 340/454-kg - Restricted
660-lb / 300-kg - Unrestricted

KEY FEATURES

- Features three working zones for enhanced capacity; up to three workers and tools can fit onto the platform.
- Utilizes an upgraded light panel that is more visible in the sun and a chassis tilt alarm that alerts the operator when the machine is on a slope that exceeds 5 Degrees.
- Delivers a zero calibration automatic load sensing system that eliminates the need to use external weights to calibrate the machine.
- Available accessories and options provide the flexibility to upfit the machine to meet unique job requirements.

ACCESSORIES & OPTIONS

- 1/2-in Airline to Platform
- 43.5-lb Propane Tank
- AC Generator, 2500W or 4000W
- Accessory Packages:
 - SkyGlazier® Package
 - SkyPower® Package
 - SkyWelder® Package
- Arctic Package¹
- Cold Weather Package²
- Hostile Environment Package
- Light Package
- Platform Mesh to Mid or Top Rail
 - Aluminum or Plastic
- Platforms
 - Drop Bar, 30 x 36-in, 30 x 48-in, 30 x 60-in, 36 x 72-in
 - Fall Arrest, Rear Entry, 36 x 72-in, 36 x 96-in
 - Inward Self-Closing Swing Gate, 30 x 48-in, 30 x 60-in, 36 x 72-in, 36 x 96-in
- Tri-Entry, Drop Bar or Swing Gate, 36 x 72-in, 36 x 96-in
- SkySense® Enhanced Detection System
- Soft Touch
- Storage Tray - Center or Corner
- Tow Bar
- Welder Ready Package
- White Noise Alarm

STANDARD SPECIFICATIONS

Performance

| | |
|----------------------------------|---------------------------------|
| Platform Height | 60-ft / 18.3-m |
| Horizontal Outreach | 40-ft 6.9-in / 12.37-m |
| Up and Over Height | 26-ft 6.4-in / 8.1-m |
| Swing | 360 Degrees Continuous |
| Platform Capacity - Restricted | 750/1000-lb / 340/454-kg |
| Platform Capacity - Unrestricted | 660-lb / 300-kg |
| Platform Rotator | 180 Degrees Hydraulic |
| Jib Range of Articulation | 130 Degrees (+70, -60) |
| Weight* | 26,057-lb / 11,819-kg |
| Max. Ground Bearing Pressure | 90 psi / 6.2 kg/cm ² |
| Drive Speed | 4 mph / 6.45 km/h |
| Gradeability | 45% |
| Tilt Cut Out | 5 Degrees |
| Axle Oscillation | 7.2-in / 18.3-cm |
| Turning Radius Inside | 7-ft 1-in / 2.15-m |
| Turning Radius Outside | 16-ft 11.3-in / 5.17-m |

Engine

| | |
|---|-------------------|
| Dual Fuel - Ford MSG425 | 84 hp / 62 kW |
| Diesel Fuel - Deutz D2.9L4 Tier 4 Final | 48.8 hp / 36.4 kW |
| Fuel Tank Capacity | 30 gal / 113.6 L |

Tires

| | |
|----------|---|
| Standard | Foam Filled, IN355/55D-625 |
| Optional | Foam Filled Non-marking, IN355/55D-625 Foam Filled Turf & Sand, 41 x 18LL x 22.5 |

Hydraulic System

| | |
|-----------------|--------------------|
| Capacity | 30.6 gal / 115.8 L |
| Auxiliary Power | 12V DC |

STANDARD FEATURES

- 5 Degree Tilt Alarm/Indicator Light
- 12V-DC Auxiliary Power
- 110V-AC Receptacle in the Platform
- All Motion Alarm
- ClearSky Smart Fleet™ Hardware (CS550)**
- Control ADE® System
- Glow Plugs (Diesel Engines)
- Gull-Wing Hoods
- Horn
- Hourmeter
- LED Motion/Amber Beacon (CS550)**
- Lifting/Tie Down Lugs
- Load Sensing System
- Oscillating Axle
- Proportional Controls
- Platform Console Machine Status Light Panel***
- Swing-Out Engine Tray
- SkyGuard SkyLine™

*Certain Options or Country Standards Increase Weight.

**Standard Beacon and ClearSky Smart Fleet Hardware Availability Varies by Model Throughout 2023.

***Provides Indicator Lights at Platform Control Console for System Distress, Low Fuel, Degree Tilt Light and Foot Switch Status.

1. Includes Arctic Hydraulic Hoses (Drive And Steer Only) And Main Boom Cable, Extreme Cold Engine Oil, Fuel Conditioner, Engine Block Heater, Battery Blanket, Glow Plugs, Hydraulic Tank Heater, Oversized Foot Switch and Arctic Hydraulic Oil.
2. Includes Battery Blanket, Hydraulic Tank Heater, Engine Block Heater Pad.

Not All Options Can Be Outfitted On the Same Machine; Consult Factory for Compatibility.
Additional Accessories and Options Available Via JLG Aftermarket.

600AJ HC3

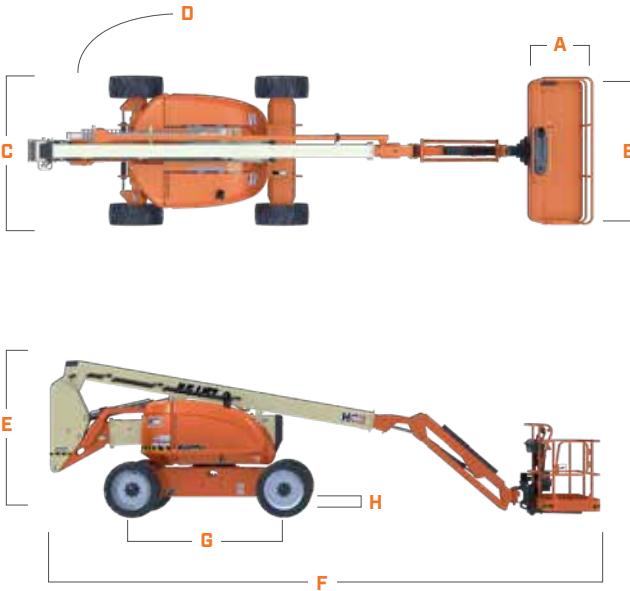
BOOM LIFT

ARTICULATING HI-CAPACITY BOOM LIFT



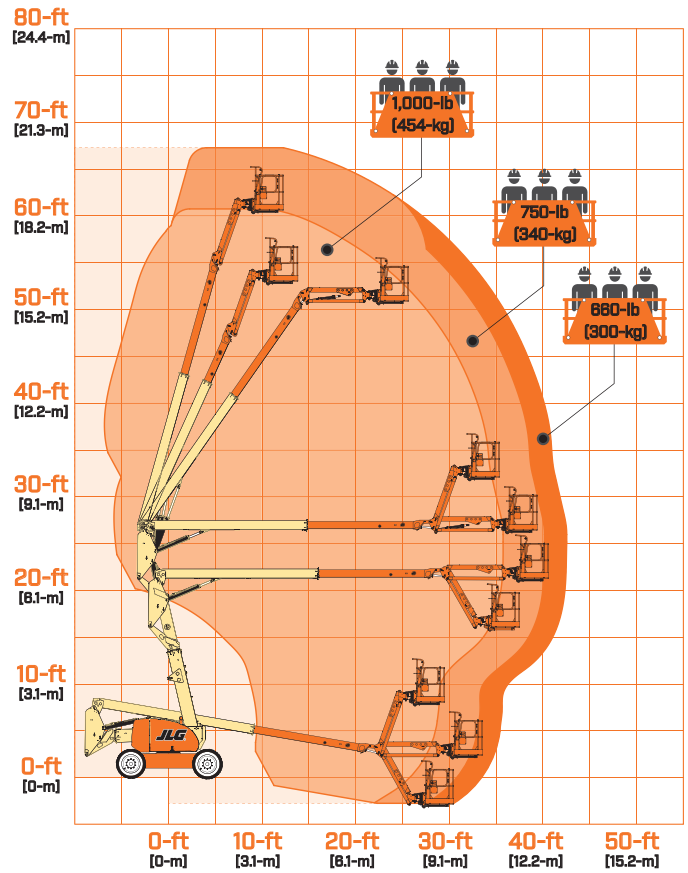
DIMENSIONS

All dimensions are approximate



- A. Platform Width 36-in / 0.91-m
- B. Platform Length 96-in / 2.44-m
- C. Machine Width 8-ft 2.2-in / 2.49-m
- D. Tailswing Zero
- E. Machine Height 8-ft 5.5-in / 2.58-m
- F. Machine Length 30-ft / 9.14-m
- G. Wheelbase 8-ft 1.9-in / 2.48-m
- H. Ground Clearance 11.8-in / 29-cm

REACH DIAGRAM



BROOKS
ACCESS



☎ **1300 BROOKS** (1300 276 657)
@ sales@brooksaccess.com.au
🌐 www.brooksaccess.com.au