



TECHNICAL SPECIFICATIONS

Pneumatic Forklift Trucks

CD50S / CD60S / CD70S-5 & CD80S / CD90S-5
CG50S / CG60S / CG70S-5

5,000kg to 9,000kg Capacity

PRO5
SERIES



5,000/6,000/7,000/8,000/9,000kg Capacities

Engine Powered Forklift Trucks Pneumatic Tyre

MAIN VEHICLE SPECIFICATIONS

| | | | | | | | | | |
|-----------------------------|-------------------------------------------------------|--------------------------------|-------------------------------|-------------|----------------|----------------|----------------|----------------|----------------|
| CHARACTERISTICS | 2 | Model | | CD50S-5 | CD60S-5 | CD70S-5 | CD80S-5 | CD90S-5 | |
| | 3 | Load Capacity | at rated load centre | kg | 5,000 | 6,000 | 7,000 | 8,000 | 9,000 |
| | 4 | Load Centre | | mm | 600 | 600 | 600 | 600 | 600 |
| | 5 | Power type | Elec, Diesel, LPG, Gasoline | | Diesel | Diesel | Diesel | Diesel | Diesel |
| | 6 | Operator type | | | Driver-seated | Driver-seated | Driver-seated | Driver-seated | Driver-seated |
| | 7 | Tyre type | P:Pnu, E:Solid Soft, C: Cush | | P | P | P | P | P |
| | 8 | Wheels (x=Driven) | Front / Rear | | x 4 / 2 | x 4 / 2 | x 4 / 2 | x 4 / 2 | x 4 / 2 |
| | 9 | Max. Fork Height | with STD 2-stage mast | mm | 3,000 | 3,000 | 3,000 | 3,100 | 3,100 |
| 10 | Free Lift | | mm | 205 | 205 | 205 | 215 | 215 | |
| 12 | Fork Carriage | ISO Class | | IV | IV | IV | V | V | |
| DIMENSIONS | 13 | Forks | Length x Width x Thickness | mm | 1,200x150x60 | 1,200x180x60 | 1,200x180x60 | 1,200 x180x70 | 1,200 x180x70 |
| | | Fork Spacing(Min x Max) | mm | 350x2,032 | 410x2,032 | 410x2,032 | 410x2,092 | 410x2,092 | |
| | 14 | Tilt of Mast | Forward / Backward | deg | 15 / 10 | 15 / 10 | 15 / 10 | 15 / 10 | 15 / 10 |
| | 15 | Overall Dimensions | Length to Fork Face | mm | 3,507 | 3,568 | 3,647 | 3,970 | 4,040 |
| | | | Overall Width | mm | 2,108 | 2,108 | 2,108 | 2,230 | 2,230 |
| | | | Mast Lowered Height | mm | 2,500 | 2,500 | 2,500 | 2,835 | 2,835 |
| | | | Mast Extended Height | mm | 4,340 | 4,340 | 4,340 | 4,375 | 4,375 |
| | | | Overhead Guard Height | mm | 2,455 | 2,455 | 2,455 | 2,648 | 2,648 |
| | 19 | Seat Height | mm | 1,333 | 1,333 | 1,333 | 1,526 | 1,526 | |
| | 21 | Turning Radius | Minimum outside | mm | 3,301 | 3,331 | 3,380 | 3,610 | 3,680 |
| | 22 | Load Moment Centre | | mm | 632 | 632 | 632 | 725 | 725 |
| 23 | Aisle 90 degree stacking(add load length & clearance) | | mm | 3,924 | 3,958 | 4,000 | 4,330 | 4,355 | |
| PERFORMANCE | 24 | Travel Speed | Loaded / Unloaded | km/h | 30.0 / 33.0 | 29.5 / 32.5 | 29.0 / 32.0 | 29.8 / 33.8 | 27.7 / 33.4 |
| | 25 | Lifting Speed | Loaded / Unloaded | mm/s | 500 / 530 | 490 / 530 | 445 / 470 | 430 / 470 | 430 / 470 |
| | 26 | Lowering Speed | Loaded / Unloaded | mm/s | 501 / 450 | 501 / 450 | 499 / 450 | 500 / 450 | 500 / 450 |
| | 28 | Max. drawbar pull | Loaded at 1.0 mph (1.6km / h) | kg | 5,668 | 5,624 | 5,592 | 5,498 | 5,449 |
| | 30 | Max. gradeability | Loaded at 1.0 mph (1.7km / h) | % | 47.5 | 40.5 | 35.5 | 30.6 | 28.6 |
| | 32 | Total Service Weight, Unloaded | | kg | 8,570 | 9,240 | 9,970 | 11,545 | 12,195 |
| WEIGHT | 33 | Axle Load | Loaded, Front / Rear | kg | 12,175 / 1,395 | 13,585 / 1,655 | 14,980 / 1,990 | 14,920 / 4,360 | 16,920 / 4,705 |
| | | | Unloaded, Front / Rear | kg | 4,435 / 4,135 | 4,300 / 4,940 | 4,150 / 5,820 | 4,600 / 6,500 | 4,680 / 7,315 |
| CHASSIS | 35 | | Number of wheels(F / R) | | 2 / 4 | 2 / 4 | 2 / 4 | 4 / 2 | 4 / 2 |
| | 36 | Tyres | Size, Front | | 8.25x15-14PR | 8.25x15-14PR | 8.25x15-14PR | 9.00x20-14PR | 9.00x20-14PR |
| | | | Size, Rear | | 8.25x15-14PR | 8.25x15-14PR | 8.25x15-14PR | 9.00x20-14PR | 9.00x20-14PR |
| | 38 | Wheel Base | Distance | mm | 2,250 | 2,250 | 2,250 | 2,500 | 2,500 |
| | 39 | Tread Width | Front / Rear | mm | 1,584 / 1,550 | 1,584 / 1,550 | 1,584 / 1,550 | 1,646 / 1,750 | 1,646 / 1,750 |
| | 40 | Ground Clearance | Loaded at the lowest point | mm | 176 | 176 | 176 | 258 | 258 |
| | | | Loaded at centre of wheelbase | mm | 205 | 205 | 205 | 292 | 292 |
| 42 | Brakes | Service | | Foot / Hyd | Foot / Hyd | Foot / Hyd | Foot / Hyd | Foot / Hyd | |
| | | Parking | | Hand / Mech | Hand / Mech | Hand / Mech | Hand / Mech | Hand / Mech | |
| 45 | Battery | Voltage / Ampere | V/AH | 24 / 75 | 24 / 75 | 24 / 75 | 24 / 75 | 24 / 75 | |
| POWER TRAIN | 49 | Engine | Model | | DB58S | DB58S | DB58S | DB58S | DB58S |
| | | | Rated Power(DIN) | HP/rpm | 98.6 / 2,200 | 98.6 / 2,200 | 98.6 / 2,200 | 98.6 / 2,200 | 98.6 / 2,200 |
| | | | | kW/rpm | 73.6 / 2,200 | 73.6 / 2,200 | 73.6 / 2,200 | 73.6 / 2,200 | 73.6 / 2,200 |
| | | | Maximum Torque | N-m/rpm | 363 / 1,400 | 363 / 1,400 | 363 / 1,400 | 363 / 1,400 | 363 / 1,400 |
| | 52 | Cylinders / Displacements | CC | 6 / 5,785 | 6 / 5,785 | 6 / 5,785 | 6 / 5,785 | 6 / 5,785 | |
| | 55 | Transmission | Type | | FULL AUTO | FULL AUTO | FULL AUTO | FULL AUTO | FULL AUTO |
| Number of Speed (Fwd / Rev) | | | | 3 / 3 | 3 / 3 | 3 / 3 | 3 / 3 | 3 / 3 | |
| 57 | Hydraulic Pressure | System | bar | 210 | 210 | 210 | 219 | 235 | |
| | | Attachment | bar | 140 | 140 | 140 | 140 | 140 | |

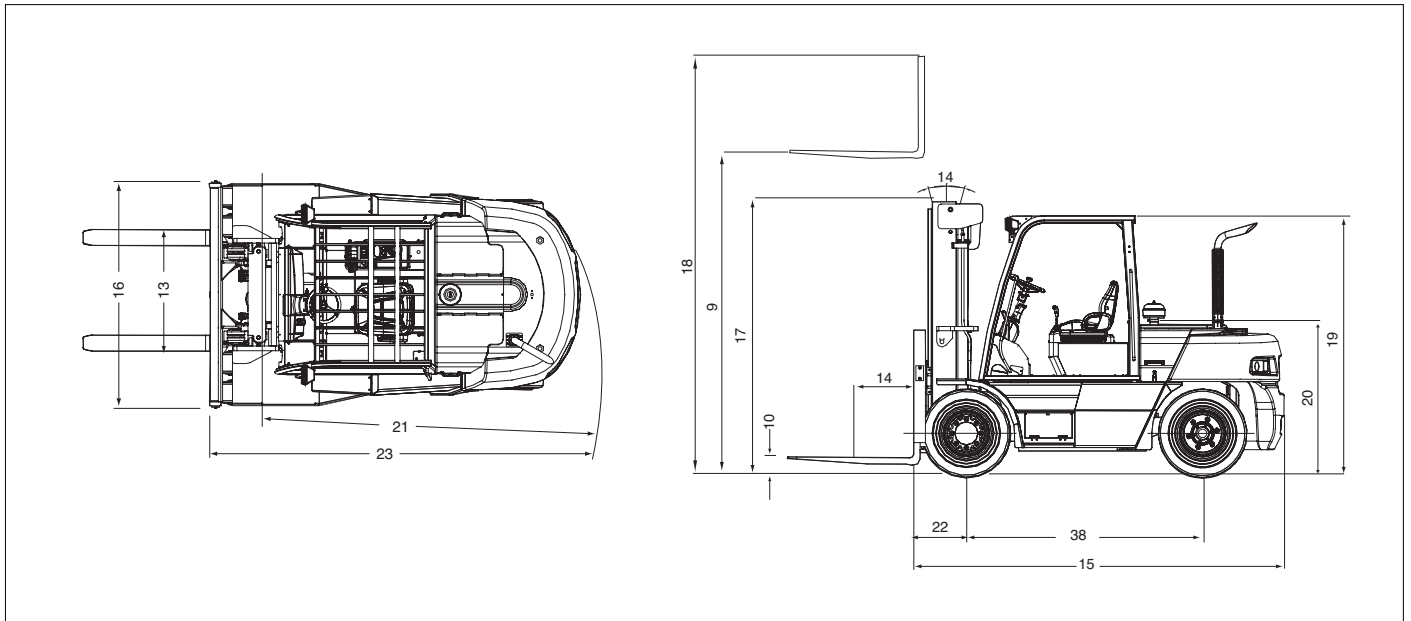
Note: Specification values quoted in this specification sheet has been rounded. Performance may vary due to operation conditions.
Products and specifications are subject to improvement and change without prior notices.

5,000/6,000/7,000kg Capacities

Engine Powered Forklift Trucks Pneumatic Tyre

| CD50S-5 | CD60S-5 | CD70S-5 | CG50S-5 | CG60S-5 | CG70S-5 |
|----------------|----------------|----------------|----------------|----------------|----------------|
| 5,000 | 6,000 | 7,000 | 5,000 | 6,000 | 7,000 |
| 600 | 600 | 600 | 600 | 600 | 600 |
| Diesel | Diesel | Diesel | LPG | LPG | LPG |
| Driver-seated | Driver-seated | Driver-seated | Driver-seated | Driver-seated | Driver-seated |
| P | P | P | P | P | P |
| x 4 / 2 | x 4 / 2 | x 4 / 2 | x 4 / 2 | x 4 / 2 | x 4 / 2 |
| 3,000 | 3,000 | 3,000 | 3,000 | 3,000 | 3,000 |
| 205 | 205 | 205 | 205 | 205 | 205 |
| IV | IV | IV | ¥‡ | ¥‡ | ¥‡ |
| 1,200x150x60 | 1,200x180x60 | 1,200x180x60 | 1,200x150x60 | 1,200x180x60 | 1,200x180x60 |
| 350x2,032 | 410x2,032 | 410x2,032 | 350x2,032 | 410x2,032 | 410x2,032 |
| 15 / 10 | 15 / 10 | 15 / 10 | 15 / 10 | 15 / 10 | 15 / 10 |
| 3,507 | 3,568 | 3,647 | 3,507 | 3,568 | 3,647 |
| 2,108 | 2,108 | 2,108 | 2,108 | 2,108 | 2,108 |
| 2,500 | 2,500 | 2,500 | 2,500 | 2,500 | 2,500 |
| 4,340 | 4,340 | 4,340 | 4,340 | 4,340 | 4,340 |
| 2,455 | 2,455 | 2,455 | 2,455 | 2,455 | 2,455 |
| 1,333 | 1,333 | 1,333 | 1,333 | 1,333 | 1,333 |
| 3,301 | 3,331 | 3,380 | 3,301 | 3,331 | 3,380 |
| 632 | 632 | 632 | 632 | 632 | 632 |
| 3,924 | 3,958 | 4,000 | 3,924 | 3,958 | 4,000 |
| 25 / 26.5 | 24.5 / 26.5 | 24.0 / 26.5 | 24.0 / 25.4 | 23.8 / 25.4 | 23.6 / 25.4 |
| 415 / 445 | 415 / 445 | 415 / 445 | 380 / 410 | 380 / 410 | 380 / 410 |
| 490 / 460 | 490 / 460 | 490 / 460 | 490 / 460 | 490 / 460 | 490 / 460 |
| 4,908 | 4,875 | 4,875 | 5,010 | 4,990 | 4,965 |
| 39.4 | 34.1 | 30.3 | 40.9 | 35.5 | 31.3 |
| 8,395 | 9,085 | 9,810 | 8,235 | 8,905 | 9,635 |
| 12,010 / 1,385 | 13,430 / 1,655 | 14,820 / 1,990 | 11,840 / 1,395 | 13,260 / 1,645 | 14,650 / 1,985 |
| 4,270 / 4,125 | 4,145 / 4,940 | 3,985 / 5,830 | 4,100 / 4,135 | 3,975 / 4,930 | 3,815 / 5,820 |
| 4 / 2 | 4 / 2 | 4 / 2 | 4 / 2 | 4 / 2 | 4 / 2 |
| 8.25x15-14PR | 8.25x15-14PR | 8.25x15-14PR | 8.25x15-14PR | 8.25x15-14PR | 8.25x15-14PR |
| 8.25x15-14PR | 8.25x15-14PR | 8.25x15-14PR | 8.25x15-14PR | 8.25x15-14PR | 8.25x15-14PR |
| 2,250 | 2,250 | 2,250 | 2,250 | 2,250 | 2,250 |
| 1,584 / 1,550 | 1,584 / 1,550 | 1,584 / 1,550 | 1,584 / 1,550 | 1,584 / 1,550 | 1,584 / 1,550 |
| 176 | 176 | 176 | 176 | 176 | 176 |
| 205 | 205 | 205 | 205 | 205 | 205 |
| Foot / Hyd | Foot / Hyd | Foot / Hyd | Foot / Hyd | Foot / Hyd | Foot / Hyd |
| Hand / Mech | Hand / Mech | Hand / Mech | Hand / Mech | Hand / Mech | Hand / Mech |
| 24 / 75 | 24 / 75 | 24 / 75 | 12 / 75 | 12 / 75 | 12 / 75 |
| DB58S | DB58S | DB58S | G643(E) | G643(E) | G643(E) |
| 92.7 / 2,400 | 92.7 / 2,400 | 92.7 / 2,400 | 93 / 2,450 | 93 / 2,450 | 93 / 2,450 |
| 69.1 / 2,400 | 69.1 / 2,400 | 69.1 / 2,400 | 69 / 2,450 | 69 / 2,450 | 69 / 2,450 |
| 323 / 1,600 | 323 / 1,600 | 323 / 1,600 | 31 / 1,400 | 31 / 1,400 | 31 / 1,400 |
| 6 / 4,400 | 6 / 4,400 | 6 / 4,400 | 6 / 4,294 | 6 / 4,294 | 6 / 4,294 |
| Autoshift | Autoshift | Autoshift | Power Shift | Power Shift | Power Shift |
| 2 / 2 | 2 / 2 | 2 / 2 | 2 / 2 | 2 / 2 | 2 / 2 |
| 210 | 210 | 210 | 210 | 210 | 210 |
| 140 | 140 | 140 | 140 | 140 | 140 |

DIMENSIONAL DRAWING



MAST SPECIFICATIONS and RATED CAPACITIES

CD/CG50S-5

| Mast type | Maximum Fork Height | Fully Lowered Height | Fully Extended Height | Free Lift | Rated Load Capacities | | |
|-----------|---------------------|----------------------|-----------------------|--------------------|-----------------------|-----|------------------|
| | | | With Load Backrest | With Load Backrest | CD/CG50S-5 | | |
| | | | | | Tilt Angle | | Load Capacities |
| | | | | | Double Pneumatic | | Double Pneumatic |
| | | | | | FWD | BWD | LC 600mm |
| | mm | mm | mm | mm | deg | deg | kg |
| STD | 3,000 | 2,495 | 4,275 | 205 | 15 | 10 | 5,000 |
| | 3,500 | 2,745 | 4,775 | 205 | 15 | 10 | 5,000 |
| | 3,700 | 2,845 | 4,975 | 205 | 15 | 10 | 5,000 |
| | 4,000 | 2,995 | 5,275 | 205 | 15 | 10 | 5,000 |
| | 4,500 | 3,345 | 5,775 | 205 | 15 | 10 | 5,000 |
| | 5,000 | 3,595 | 6,275 | 205 | 15 | 10 | 5,000 |
| | 5,500 | 3,845 | 6,775 | 205 | 15 | 10 | 4,900 |
| FFT | 6,000 | 4,095 | 7,275 | 205 | 15 | 10 | 4,725 |
| | 4,550 | 2,540 | 5,570 | 1,580 | 15 | 10 | 4,900 |
| | 5,000 | 2,690 | 6,020 | 1,730 | 15 | 10 | 4,750 |
| | 5,600 | 2,890 | 6,620 | 1,930 | 15 | 10 | 4,550 |
| | 6,050 | 3,040 | 7,070 | 2,080 | 15 | 10 | 4,400 |

CD/CG60S-5

| Mast type | Maximum Fork Height | Fully Lowered Height | Fully Extended Height | Free Lift | Rated Load Capacities | | |
|-----------|---------------------|----------------------|-----------------------|--------------------|-----------------------|----|------------------|
| | | | With Load Backrest | With Load Backrest | CD/CG60S-5 | | |
| | | | | | Tilt Angle | | Load Capacities |
| | | | | | Double Pneumatic | | Double Pneumatic |
| mm | mm | mm | mm | deg | deg | kg | |
| STD | 3,000 | 2,495 | 4,275 | 205 | 15 | 10 | 6,000 |
| | 3,500 | 2,745 | 4,775 | 205 | 15 | 10 | 6,000 |
| | 3,700 | 2,845 | 4,975 | 205 | 15 | 10 | 6,000 |
| | 4,000 | 2,995 | 5,275 | 205 | 15 | 10 | 6,000 |
| | 4,500 | 3,345 | 5,775 | 205 | 15 | 10 | 6,000 |
| | 5,000 | 3,595 | 6,275 | 205 | 15 | 10 | 6,000 |
| | 5,500 | 3,845 | 6,775 | 205 | 15 | 10 | 5,875 |
| | 6,000 | 4,095 | 7,275 | 205 | 15 | 10 | 5,675 |
| FFT | 4,550 | 2,540 | 5,570 | 1,580 | 15 | 10 | 5,900 |
| | 5,000 | 2,690 | 6,020 | 1,730 | 15 | 10 | 5,725 |
| | 5,600 | 2,890 | 6,620 | 1,930 | 15 | 10 | 5,500 |
| | 6,050 | 3,040 | 7,070 | 2,080 | 15 | 10 | 5,300 |

CD/CG70S-5

| Mast type | Maximum Fork Height | Fully Lowered Height | Fully Extended Height | Free Lift | Rated Load Capacities | | | |
|-----------|---------------------|----------------------|-----------------------|--------------------|-----------------------|----|------------------|-------|
| | | | With Load Backrest | With Load Backrest | CD/CG70S-5 | | | |
| | | | | | Tilt Angle | | Load Capacities | |
| | | | | | Double Pneumatic | | Double Pneumatic | |
| mm | mm | mm | mm | deg | deg | kg | | |
| STD | 3,000 | 2,495 | 4,275 | 205 | 15 | 10 | 7,000 | |
| | 3,500 | 2,745 | 4,775 | 205 | 15 | 10 | 7,000 | |
| | 3,700 | 2,845 | 4,975 | 205 | 15 | 10 | 7,000 | |
| | 4,000 | 2,995 | 5,275 | 205 | 15 | 10 | 7,000 | |
| | 4,500 | 3,345 | 5,775 | 205 | 15 | 10 | 7,000 | |
| | 5,000 | 3,595 | 6,275 | 205 | 15 | 10 | 7,000 | |
| | 5,500 | 3,845 | 6,775 | 205 | 15 | 10 | 7,000 | |
| | 6,000 | 4,095 | 7,275 | 205 | 15 | 10 | 6,900 | |
| | 3,000 | 2,495 | 4,275 | 205 | 15 | 10 | 7,000 | |
| | 3,500 | 2,745 | 4,775 | 205 | 15 | 10 | 7,000 | |
| | 3,700 | 2,845 | 4,975 | 205 | 15 | 10 | 7,000 | |
| | 4,000 | 2,995 | 5,275 | 205 | 15 | 10 | 7,000 | |
| | 4,500 | 3,345 | 5,775 | 205 | 15 | 10 | 7,000 | |
| | 5,000 | 3,595 | 6,275 | 205 | 15 | 10 | 7,000 | |
| | 5,500 | 3,845 | 6,775 | 205 | 15 | 10 | 7,000 | |
| | 6,000 | 4,095 | 7,275 | 205 | 15 | 10 | 6,900 | |
| | FFT | 4,550 | 2,540 | 5,570 | 1580 | 15 | 10 | 7,000 |
| | | 5,000 | 2,690 | 6,020 | 1730 | 15 | 10 | 7,000 |
| 5,600 | | 2,890 | 6,620 | 1930 | 15 | 10 | 6,725 | |
| 6,050 | | 3,040 | 7,070 | 2080 | 15 | 10 | 6,500 | |

CD80S-5

| Mast type | Maximum Fork Height | Fully Lowered Height | Fully Extended Height | Free Lift | Rated Load Capacities | | |
|-----------|---------------------|----------------------|-----------------------|--------------------|-----------------------|-----|------------------|
| | | | With Load Backrest | With Load Backrest | CD80S-5 | | |
| | | | | | Tilt Angle | | Load Capacities |
| | | | | | Double Pneumatic | | Double Pneumatic |
| | | | | | FWD | BWD | LC 600mm |
| | mm | mm | mm | mm | deg | deg | kg |
| STD | 3,100 | 2,835 | 4,375 | 215 | 15 | 10 | 8,000 |
| | 3,300 | 2,935 | 4,575 | 215 | 15 | 10 | 8,000 |
| | 3,600 | 3,085 | 4,875 | 215 | 15 | 10 | 8,000 |
| | 4,100 | 3,435 | 5,375 | 215 | 15 | 10 | 8,000 |
| | 4,600 | 3,685 | 5,875 | 215 | 15 | 10 | 8,000 |
| | 5,100 | 3,935 | 6,375 | 215 | 15 | 10 | 8,000 |
| | 5,600 | 4,185 | 6,875 | 215 | 15 | 10 | 8,000 |
| FFT | 4,350 | 2,630 | 5,625 | 1,420 | 15 | 10 | 8,000 |
| | 4,800 | 2,780 | 6,075 | 1,570 | 15 | 10 | 8,000 |
| | 5,400 | 2,980 | 6,675 | 1,770 | 15 | 10 | 8,000 |
| | 5,850 | 3,130 | 7,125 | 1,920 | 15 | 10 | 7,900 |

CD90S-5

| Mast type | Maximum Fork Height | Fully Lowered Height | Fully Extended Height | Free Lift | Rated Load Capacities | | |
|-----------|---------------------|----------------------|-----------------------|--------------------|-----------------------|-----|------------------|
| | | | With Load Backrest | With Load Backrest | CD90S-5 | | |
| | | | | | Tilt Angle | | Load Capacities |
| | | | | | Double Pneumatic | | Double Pneumatic |
| | | | | | FWD | BWD | LC 600mm |
| | mm | mm | mm | mm | deg | deg | kg |
| STD | 3,100 | 2,835 | 4,375 | 215 | 15 | 10 | 9,000 |
| | 3,300 | 2,935 | 4,575 | 215 | 15 | 10 | 9,000 |
| | 3,600 | 3,085 | 4,875 | 215 | 15 | 10 | 9,000 |
| | 4,100 | 3,435 | 5,375 | 215 | 15 | 10 | 9,000 |
| | 4,600 | 3,685 | 5,875 | 215 | 15 | 10 | 9,000 |
| | 5,100 | 3,935 | 6,375 | 215 | 15 | 10 | 9,000 |
| | 5,600 | 4,185 | 6,875 | 215 | 15 | 10 | 9,000 |
| FFT | 4,350 | 2,630 | 5,625 | 1,420 | 15 | 10 | 9,000 |
| | 4,800 | 2,780 | 6,075 | 1,570 | 15 | 10 | 9,000 |
| | 5,400 | 2,980 | 6,675 | 1,770 | 15 | 10 | 9,000 |
| | 5,850 | 3,130 | 7,125 | 1,920 | 15 | 10 | 8,850 |

(June.2013)


Crown Equipment Pty Ltd

Australia Head office : Corner Long Cooper Streets Smithfield NSW
 2164 Australia
 Tel : +61 2 8788 0000 Fax : +61 2 9609 1702
Singapore Head office : 15 Tuas Avenue 8 Tuas 639230 Singapore
 Tel : +65 6861 3669 Fax : +65 6861 0175
New Zealand Head office : 18 Andromeda Crescent East tamaki Auckland
 1701 New Zealand
 Tel : +64 9 274 4069 Fax : +64 9 273 7855

www.crown.com

Because Crown is continually improving its products, specifications are subject to change without notice.

Crown, the colour beige, the Momentum symbol are trademarks of Crown Equipment Corporation.

Copyright 2013 Crown Equipment Corporation
 Ref : ASF0040
 Printed in Australia.