


# Dynapac CA6000D


## Single drum vibratory rollers





### Technical data


 <b>Masses</b>	
Operating mass (incl. ROPS)	19,300 kg
Operating mass (incl. Cab)	19,500 kg
Module mass (front/rear)	12,800 kg/6,700 kg
Max. operating mass	19,800 kg


 <b>Dimensions</b>	
Drum width	2,130 mm

 <b>Compaction</b>	
Static linear load	60 kg/cm
Nominal amplitude (high/low)	2.1 mm/0.8 mm
Vibration frequency (high/low amplitude) SEISMIC available (values for manual mode)	29 Hz/30 Hz
Centrifugal force (high/low amplitude)	360 kN/150 kN

 <b>Hydraulic system</b>	
Driving	Hydrostatic
Vibration	Hydrostatic
Steering	Hydrostatic
Service brake	Hydrostatic in forward and reverse lever.
Parking/Emergency brake	Failsafe multidisc brake in drum gear box and in rear axle.

 <b>Engine</b>	
Manufacturer/Model	Cummins B4.5 (Stage V /T4final)
Type	Water cooled turbo Diesel
Rated power, SAE J1995	149 kW (200 hp) @ 2,200 rpm
Fuel tank capacity	255 l
DEF tank capacity	30 l

 <b>Engine</b>	
Manufacturer/Model	Deutz TCD2012L06 (IIIA/T3)
Type	Water cooled turbo Diesel
Rated power, ISO 14396	150 kW (204 hp) @ 2,200 rpm

 <b>Traction</b>	
Speed range (Dual/TC/AS)	4/6/7/11 km/h
Vertical oscillation	±9 °
Tyre size (12 ply)	23,1 x 26 AW
Theor. gradeability	45 %

Find us locally at [www.dynapac.com](http://www.dynapac.com)

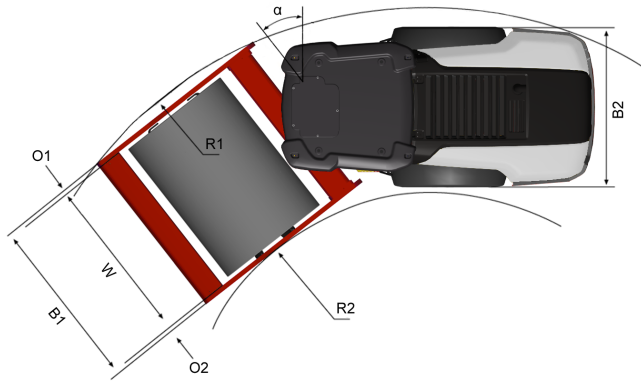
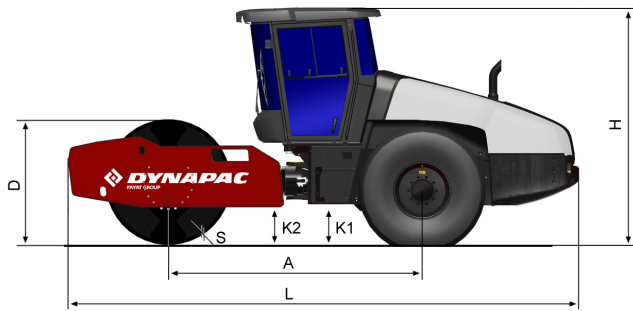
We reserve the right to change specifications without notice. Photos and illustrations do not always show standard versions of machines. The above information is a general description only, all informations are supplied without liability.

# Dynapac CA6000D

## Single drum vibratory rollers



### Technical data



Dimensions	
A. Wheelbase	3,100 mm
B1. Width, front	2,340 mm
B2. Width, rear	2,130 mm
D. Drum diameter	1,546 mm
H1. Height, with ROPS/cab	2,890 mm
H2. Height, w/o ROPS/cab	2,130 mm
K1. Ground clearance	450 mm
K2. Curb clearance	450 mm
L. Length	6,240 mm
O1. Overhang, right	105 mm
O2. Overhang, left	105 mm
R1. Turning radius, outside	5,800 mm
R2. Turning radius, inside	3,300 mm
S. Drum shell thickness	48 mm
W. Drum width	2,130 mm
α. Steering angle	±38°

Find us locally at [www.dynapac.com](http://www.dynapac.com)

We reserve the right to change specifications without notice. Photos and illustrations do not always show standard versions of machines. The above information is a general description only, all informations are supplied without liability.