

# ES1932

## ELECTRIC SCISSOR LIFT

SCISSOR LIFT



### Performance

Platform Height	5.80 m
Platform Capacity	230 kg
Capacity on Platform Extension	120 kg
Occupants (Indoor/ Outdoor)	2 /1
Lift/Lower Time	22/24 Seconds
Maximum Drive Height	Full Height
Weight*	1550 kg
Ground Bearing Pressure	8.0 kg/cm <sup>2</sup>
Drive Speed—Elevated	0.8 km/h
Drive Speed—Lowered	4.8 km/h
Gradeability	25%
Turning Radius (Inside)	Zero
Turning Radius (Outside)	1.7 m

\* Certain options or country standards will increase weight.

### Standard Specifications

#### Power Source

Batteries	4 x 6V 220 amp-hr
Charger	27 amp
Drive	24V Electric Front Wheel

#### Hydraulic Reservoir

• Capacity	12 L
• Pump	Fixed Displacement Gear

#### Tyres

• Tyre Size/Type (Non-Marking)	232 x 102 mm
--------------------------------	--------------

#### Brakes

- Electric / Multi-Disc Friction

### Standard Features

- Proportional Controls
- Load Sensing System
- DC Electric Drive
- Smart Battery Charger CAN Enabled
- Battery Condition Indicator
- All Motion Alarm
- Horn
- Hourmeter
- Tilt Alarm and Light
- Lanyard Attach Points
- Moveable, Removable Platform Control
- Nickel Plated Pins
- Lubrication Free Scissor Arm Bushings
- Scissor Maintenance Prop
- Active Pothole Protection System
- Lifting and Tie Down Points
- Fork Lift Pockets
- Foot-Actuated Deck Extension
- Steel Swing-Out Doors
- Variable Tilt Visual Zone Indicator
- Manual Descent Cable
- Diamond Tread Steel Deck
- Greaseless Kingpin Joints
- Analyzer Port for Diagnostics
- Dynamic Braking
- Flashing Amber Beacon
- Self Closing, Self Latching Gate
- USB Charger and phone Holster
- MDI (Ground)
- Drive Motor Covers
- AS/NZS 1418.10 Compliance

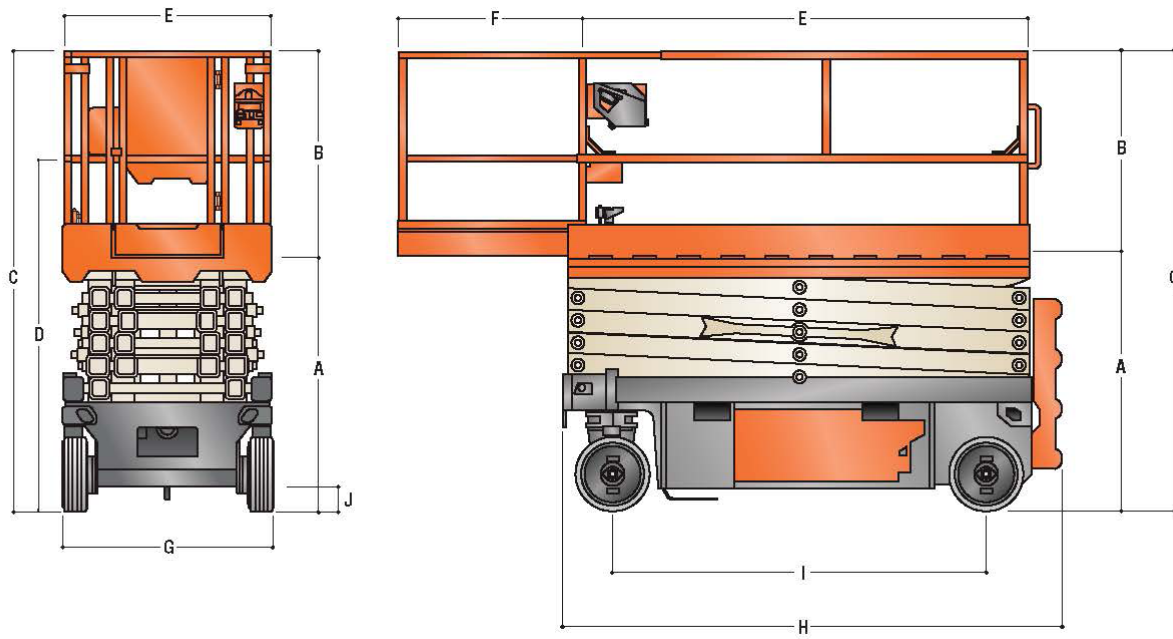
### Accessories & Options

- Fire Extinguisher
- Anti-Vandalism Package for Ground Controls and Platform Controls
- Ambient Noise (Squawker) Alarm
- AC Outlet To Platform incl. ELCB
- Mesh to Top Rail
- ClearSky
- SkySense
- Access Control
- Mobile Control
- Pipe Racks
- Panel Carrier



## Dimensions

All dimensions are approximate.



A. Platform Height-Lowered	1.00 m
B. Platform Railing Height Fixed Rails	1.01 m
B. Platform Railing Height Folding Rails	1.12 m
B. Platform Railing Height Dual Rails	1.13 m
C. Overall Height Fixed Rails	1.99 m
C. Overall Height Folding Rails	2.10 m
D. Overall Height (Rails Lowered) Fixed Rails	1.99 m
D. Overall Height (Rails Lowered) Folding Rails	1.63 m
D. Overall Height (Ground to Top Rail) Folding/Dual Rails	2.10 m
D. Overall Height (Rails Folded) Dual Rails	1.77 m
E. Platform Size	0.64 x 1.59 m
F. Platform Extension	0.87 m
G. Overall Width	0.81 m
H. Overall Length	1.70 m
I. Wheelbase	1.30 m
J. Ground Clearance	0.07 m

