



2WD / 4WD ROUGH TERRAIN FORKLIFT

with capacities of 5T

ENFORCER

1300 423 675

| forkforce.com

| Forklift Sales & Forklift Hire

2WD
ROUGH
TERRAIN
4WD
ROUGH
TERRAIN



CONCEPT

The Enforcer 5T Rough Terrain Forklift with 2WD and 4WD capabilities can easily manage rugged and outdoor environments. This powerful and reliable forklift with its excellent stability offers great manoeuvrability to keep the forklift moving in the roughest applications.

SAFETY

- Independent steering- and brake oil circuits reduces interference.
- Safe hydraulic breaking system.
- Improved brake performance with a safer and reliable brake valve structure and an accumulator.
- Returned oil filtration device comes standard, extending the service life of the hydraulic elements.
- OPS is a standard feature.



The easy-to-open hook provides quick access to the engine compartment.



Three forward gears - Suspension hydraulic transmission with three forward gears, top speed reach 25km/h.



Large screen display, the instrument panel adopts injection moulding design, sturdy and durable.

EASY MAINTENANCE

- The two-piece design makes the floorboard easy to lift and remove for access to the power train.
- The radiator cover can be turned easily by hand to enable quick inspections or servicing.



Oscillating steer axle allows either wheel to step over obstacles keeping the truck and load level.



To achieve maximum productivity, a rough terrain forklift operator needs to be comfortable and in control. We've created a workplace that gets the best from your operators and your machinery.

RELIABILITY

- The tilt cylinder and steering drive axle installation were designed with a reinforced chassis and CAE simulation software.
- Dual air filters and two-stage air filter are taken as the standard configuration to guarantee that the engine can operate for long time and under the optimal status.



The manual differential lock provides the ultimate traction during inclement weather conditions and rough operating surfaces, preventing power loss when one wheel spin.



Instantly switch between 2WD and 4WD with a full floating hydraulic drive gear box, providing a higher run speed and stronger climbing abilities.

Higher specification fork mounting level-3B, more weight can be loaded.



Rear tyre



Front tyre



PRODUCTIVITY

Get the maximum performance from your engine without reaching high revolutions.

Saving you fuel, reducing noise levels and increasing engine life.



Reduce the loss of hydraulics and be more energy efficient with the new dynamic load sensing and hydraulic steering system.



The new energy efficient lighting system employs a LED illuminant and reflector for a better performance and prolonged working time.



Wet brake offers maximum service life for your brake system.

MANEUVERABILITY

With a ground distance of 370mm, a very low centre of gravity and distributed weights, this forklift offers great manoeuvrability, keeping the forklift moving in the roughest applications while giving excellent stability.





STANDARD SPECIFICATIONS

- Full-suspension seat
- Dual air filters
- High-position exhaust
- Fuel tank cap (with lock)
- Fan protection device
- Rear working light
- Alarm light
- Emergency switch
- Right and left reflective mirrors
- Rain cover
- Wet brakes
- OPS system
- OPS system & Compatible with Sequential Seat Belt

OPTIONS

- Front windshield and wipers
- Cab (warm air blower and fan are available for option)
- Solid tyre
- Engine cover with lock
- Engine cover with dual sound insulation cushion
- Engine cover with lock+ dual sound insulation cushion
- Mud baffle provided with rigging hole
- 3rd/4th/5th valve
- Voice type reversing buzzer
- Blue light lamp
- Low-temperature cold start-up battery (-20°C)
- Interlock System

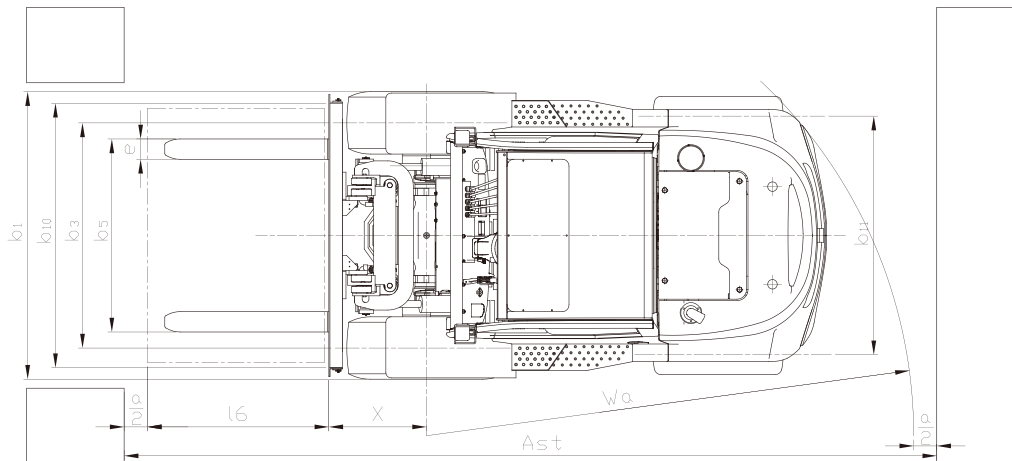
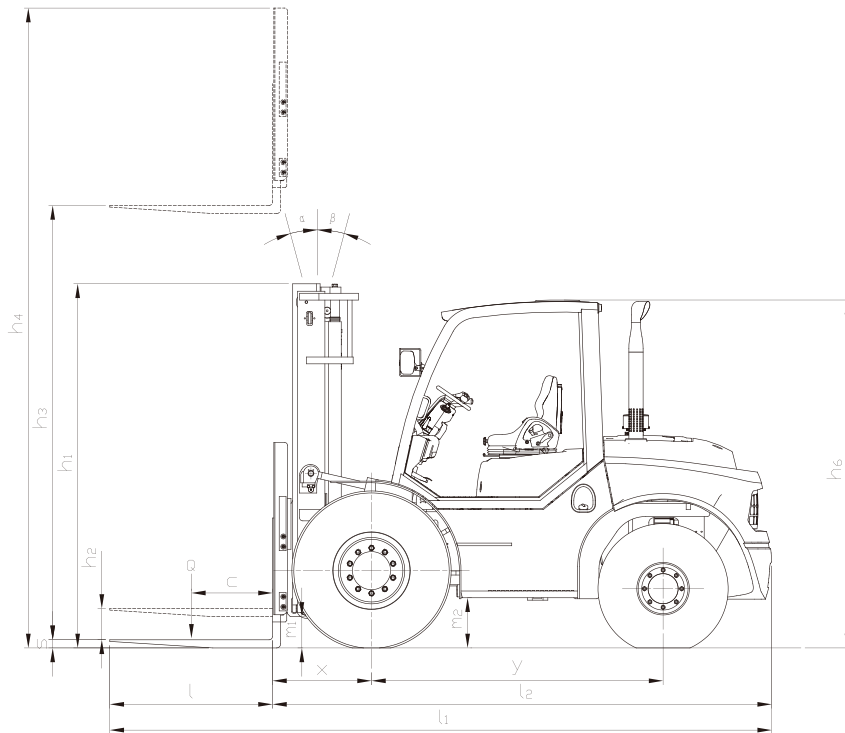


2WD / 4WD ROUGH TERRAIN FORKLIFT

			ENFORCER	
			FLDAXF50-08C1XS	FLDAXT50-08C1XS
Distinguishing mark	1.1	Manufacturer		
	1.2	Manufacturer's type designation	FLDAXF50-08C1XS	FLDAXT50-08C1XS
	1.3	Drive: electric (battery or mains), diesel, petrol, fuel gas	Diesel	Diesel
	1.4	Operator type: hand, pedestrian, standing, seated, order-picker	Seated	Seated
	1.5	Rated capacity/rated load	Q (kg)	5000
	1.6	Load centre distance	c (mm)	600
	1.8	Load distance, centre of drive axle to fork	x (mm)	735
	1.9	Wheelbase	y (mm)	2150
	Weight	2.1	Service Weight	kg
2.2		Axle loading, laden front/rear	kg	12300/1600
2.3		Axle loading, unladen front/rear	kg	4250/4650
Tyres, chassis	3.1	Tyres: solid rubber, superelastic, pneumatic, polyurethane		Pneumatic
	3.2	Tyre size, front		445/65-22.5
	3.3	Tyre size, rear		12.5/80-18
	3.5	Wheels, number front / rear (x = driven wheels)		4x4
	3.6	Tread, front	b10(mm)	1660
	3.7	Tread, rear	b11(mm)	1760
	Dimensions	4.1	Tilt of mast/fork carriage forward/backward	α / β (°)
4.2		Height, mast lowered	h1 (mm)	2685
4.3		Free lift	h2 (mm)	260
4.4		Lift	h3 (mm)	3000
4.5		Height, mast extended	h4 (mm)	4534
4.7		Height of overhead guard (cabin)	h6 (mm)	2575
4.19		Overall length	l1 (mm)	4865
4.20		Length to face of forks	l2 (mm)	3665
4.21		Overall width	b1 (mm)	2105
4.22		Fork dimensions ISO 2331	s/e/l (mm)	60x150x1220
4.23		Fork carriage DIN 15 173 -- ISO 2328, class/type A,B		B
4.24		Fork-carriage width	b3 (mm)	1950
4.25		Distance between fork-arms	b5 (mm)	290-1950
4.31		Ground clearance, laden, below mast	m1 (mm)	385
4.32		Ground clearance, centre of wheelbase	m2 (mm)	370
4.34		Aisle width	Ast (mm)	6305
4.35		Turning radius	Wa (mm)	4150
Performance Data	5.1	Travel speed, laden/unladen	km/h	25/25
	5.2	Lift speed, laden	m/s	0.45/0.52
	5.3	Lowering speed, laden	m/s	0.5/0.43
	5.5	Drawbar pull, laden	N	95000
	5.7	Gradeability, laden	%	55
	5.10	Service brake		Hydraulic
		Parking brake		Mechanical
Combustion-engine	7.1	Engine manufacturer/type		QSF3.8t3TC115
		Emission STD		EURO IIIA/GB3
	7.2	Engine power according to DIN ISO 1585	kw/r/min	86/2200
	7.3	Rated speed	N·m/r/min	470/1100-1700
	7.4	Number of cylinders/displacement	(-)/(cm ³)	4/3760
	7.10	Battery voltage/nominal capacity	V/Ah	24/90
Additional data	10.3	Hydraulic Tank - capacity (drain & refill)	litre	115
	10.4	Fuel tank capacity	litre	120

5T MAST: (pneumatic)

Type	Model	Max fork height	Overall height			Free lift		Front Overhang (mm)	Tilt range	
			Lowered (mm)	Extended		Without backrest (mm)	With backrest (mm)		FWD (°)	BWD (°)
				Without backrest (mm)	With backrest (mm)					
Wide view mast	RTC50M300	3000	2685	4183	4534	160	160	735	15	15
	RTC50M330	3300	2835	4483	4834	160	160	735	15	15
	RTC50M350	3500	2935	4683	5034	160	160	735	15	15
	RTC50M370	3700	3035	4883	5234	160	160	735	15	15
	RTC50M400	4000	3185	5183	5534	160	160	735	15	15
	RTC50M450	4500	3485	5685	6034	160	160	735	15	15
Wide view full free triplex mast	RTC50M500	5000	3735	6185	6534	160	160	735	15	15
	RTC50N400	4000	2760	5470	5534	1300	1051	804	15	15
	RTC50N430	4300	2850	5740	5834	1420	1141	804	15	15
	RTC50N450	4500	2910	5920	6034	1500	1201	804	15	15
	RTC50N480	4800	3010	6220	6334	1600	1301	804	15	15
	RTC50N500	5000	3060	6399	6534	1671	1351	804	10	15
RTC50N550	5500	3260	6970	7034	1800	1551	804	10	15	
RTC50N600	6000	3410	7420	7534	2000	1701	804	10	15	



ENFORCER

PROUDLY DISTRIBUTED BY: **FORKFORCE**

1300 423 675 | forkforce.com