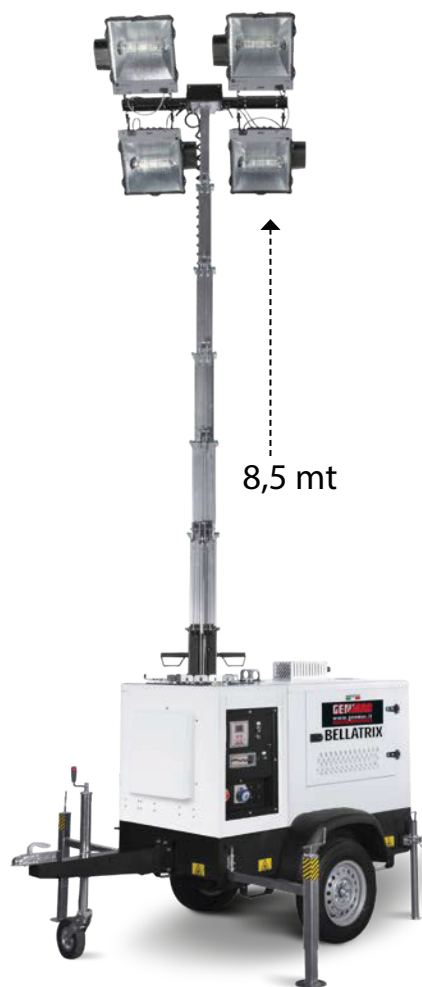


BELLATRIX TORRE FARO LIGHTING TOWER

BELLATRIX lighting tower with hydraulic lifting system and integrated diesel generator.

Technical specifications:

- Hydraulic lifting lighting tower
- Zinc plating steel telescopic mast
- Mast and light 350° rotation
- Sound-proof diesel generator with engine protection card
- Coiled cable to power the headlights
- Slow speed single axle trailer with suspension
- 4 adjustable in height and retractable stabilizers
- 2 forklift guides for easy lifting
- Each lamp has its own On/Off switch
- Lockable doors



LEGENDA	LEGEND	
TI	Sollevamento idraulico	Hydraulic lifting
-L	Led	Led
-H	Ioduri Metallici	Metal halide
K	Kohler	Kohler
P	Pekins	Pekins
S	Generatore insonorizzato	Silent generator

		50 Hz			60 Hz		
BELLATRIX		TI9KS4	TI9KS7	TI9PS7	TIU9KS4	TIU9KS7	TIU9PS7
Generatore	Generator						
Potenza continua	Rated power	4	6,5	7	4,4	7,2	7,7
Tensione	Voltage	230	230	230	120/240	120/240	120/240
Prese	Sockets	2x16A (inlet & outlet)			1x120V 20A Duplex + 1x120/240V 30A Twistlock (only out)		
Centralina	Controller	DEEP SEA 4510			DEEP SEA 4510		
Alternatore	Alternator	LINZ Alumen			LINZ Alumen		
Serbatoio/Autonomia	Tank/Autonomy	130/144	130/65	130/65	50/33	130/59	130/52
Motore	Engine						
Modello	Model	KDW702	KDW1003	403A-11G1	KDW702	KDW1003	403A-11G1
Marca	Brand	Kohler	Kohler	Perkins	Kohler	Kohler	Perkins
Giri	Speed	1500	1500	1500	1800	1800	1800
Carburante	Fuel	Diesel	Diesel	Diesel	Diesel	Diesel	Diesel
Raffreddamento	Cooling system						
Torre	Tower						
Massima altezza	Maximum height	8,5	8,5	8,5	8,5	8,5	8,5
Sistema di sollevamento	Lifting system	idraulico hydraulic			idraulico hydraulic		
Sfili	Stages	6	6	6	6	6	6
Rotazione	Rotation	350°	350°	350°	350°	350°	350°
Caratteristiche	Features						
Stabilizzatori	Stabilizers	4	4	4	4	4	4
Alloggiamento forche	Forklift pockets	standard	standard	standard	standard	standard	standard
Pneumatici	Wheels	2x165R13C			2x165R13C		