



TURBOFARMER II

TF42.7-115EE, TF38.10-115EE

BROOKS
ACCESS

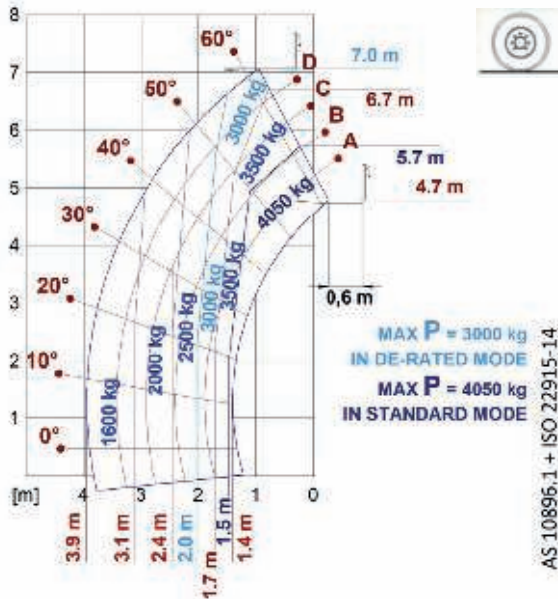


MERLO

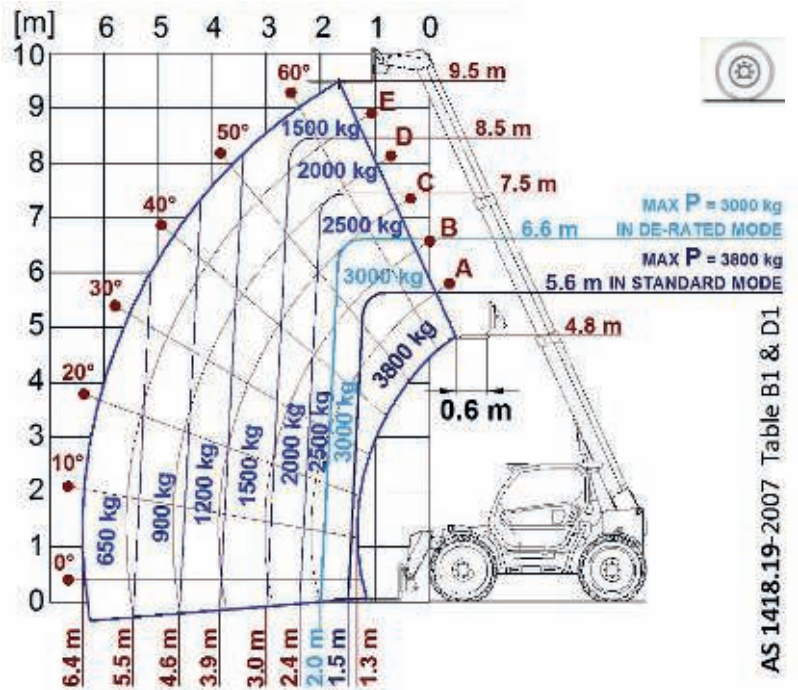
PERFORMANCE AND FEATURES	TF42.7-115EE	TF38.10-115EE	
PERFORMANCE			
Total unladen weight (kg)	7700	8200	
Maximum capacity (kg)	4050	3800	
Lifting height (m)	7	9,5	
Maximum reach (m)	3,9	6,4	
Maximum operating height (m)	5,7	5,6	
Maximum operating reach (m)	1,5	1,5	
Capacity at maximum height (kg)	3000	1500	
Capacity at maximum reach (kg)	1600	650	
Lateral boom movement (mm)	-	-	
Tilting correction (%)	-	-	
Boom sections	2	3	
POWERTRAIN			
Turbo motor	DEUTZ TCD3.6	DEUTZ TCD3.6	
Displacement/cylinders	3600/4	3600/4	
Engine Power (kW/HP)	85/115	85/115	
Anti-pollution technology	TIER 3	TIER 3	
Reversible fan	●	●	
Maximum speed (km/h)	40	40	
Fuel tank (l)	140	140	
AdBlue tank (l)	-	-	
Hydrostatic transmission	● - 2V	● - 2V	
EPD	Plus	Plus	
Auto-revving joystick	●	●	
Axles - Reducers	Drop portal - RR700	Drop portal - RR700	
Machine brakes	Dry disc	Dry disc	
Automatic parking brake	●	●	
HYDRAULIC			
Hydraulic pump	LS+FS	LS+FS	
Flow rate/pressure (l/min – bar)	150-250	150-250	
Hydraulic tank	100	100	
Hydraulic outlet at the top of the boom	●	●	
Rear hydraulic outlets	○	○	
CAB			
Cab configuration	ECO	ECO	
ASCS Adaptive Stability Control System	Light	Light	
FOPS LIV II cab	●	●	
ROPS cab	●	●	
Cab commands	Electronic joystick	Electronic joystick	
Tilting Cab	-	-	
Reverse shuttle	Dual reverse	Dual reverse	
CONFIGURATION			
Cab suspension	-	-	
Boom suspension	●	●	
Suspension on axles	-	-	
Work headlights on cab	●	●	
Sun blind	●	●	
Tac-lock	●	●	
Provision for a platform	○	○	
Two floating forks	●	●	
Inching-Control	●	●	
Four-wheel drive	●	●	
Four-wheel steering	●	●	
Three steering modes	●	●	
Standard tyres	400/70-24	400/70-24	
Optional tyres	460/70-R24	460/70-R24	
Stabilisers	-	-	
Turret rotation	-	-	
Type approval as an agricultural tractor	-	-	
Approval with PNEUMATIC braking	○	○	
Approval with HYDRAULIC braking	○	○	
PTO	-	-	
3-point linkage	-	-	

- Not Available. ● standard. ○ optional.

LOAD CHARTS



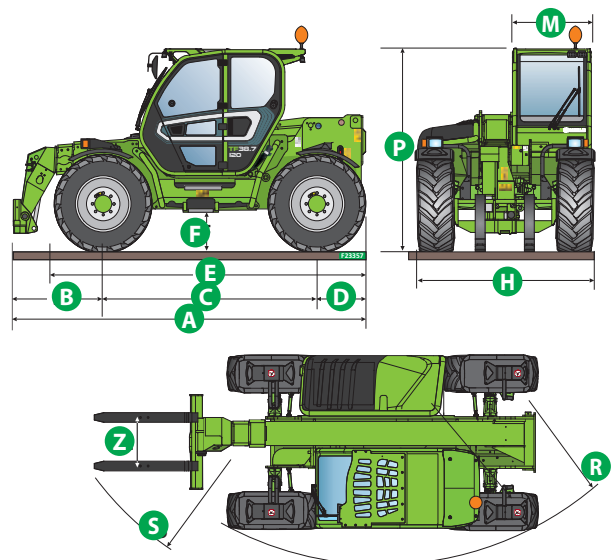
TF42.7-115EE



TF38.10-115EE

DIMENSIONS

	TF42.7 -115 EE	TF38.10 -115 EE	
A (mm)	4730	4760	
B (mm)	1215	1245	
C (mm)	2810	2810	
D (mm)	705	705	
E (mm)	4104	4104	
F (mm)	460	460	
H (mm)	2310	2310	
M (mm)	1010	1010	
P (mm)	2530	2530	
R (mm)	3985	3985	
S (mm)	4800	4800	
Z (mm)	850	850	



☎ 1300 BROOKS (276 657)

✉ sales@brooksaccess.com.au

🌐 brooksaccess.com.au

BROOKS
ACCESS