

Komatsu PC30MR Excavator



Performance

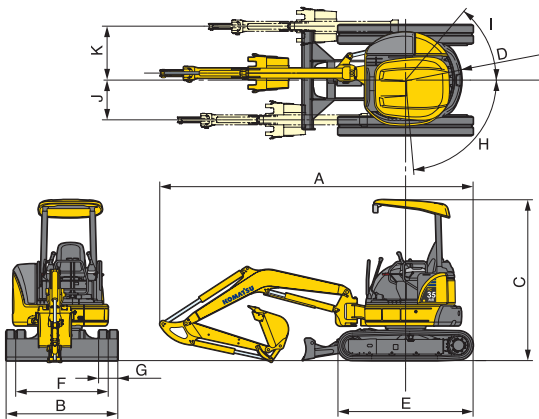
Travel speed - Hi	4.6 km/h
Travel speed - Lo	2.5 km/h
Swing speed	9.3 rpm
Ground pressure	0.30 kg/cm ²
Max. traction force	3400 kg
Gradeability	30 deg.
Bucket digging force (ISO)	3000 kg
Arm crowd force (ISO)	1800 kg

Operating Weight	3140 kg
Flywheel horse power	21.4 kW / 2400 rpm
Bucket capacity (SAE heaped)	0.09 m ³
Bucket capacity (CECE heaped)	0.08 m ³
Bucket width	430 mm
Bucket width (incl. side cutters)	500 mm

Blade

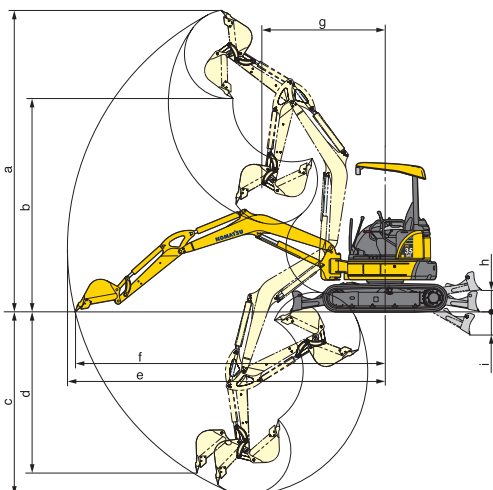
Blade width	1550 mm
Blade height	355 mm

Dimensions



A	Overall length	4560 mm
B	Overall width	1550 mm
C	Overall height	2520 mm
D	Tail swing radius	855 mm
E	Crawler length	2105 mm
F	Track gauge	1250 mm
G	Track shoe width	300 mm
H/I	Boom swing angle deg.	LH80/RH50
J	Bucket offset LH	580 mm
K	Bucket offset RH	845 mm

Working Range



a	Max. digging height	4840 mm
b	Max. dumping height	3350 mm
c	Max. digging depth	2760 mm
d	Max. vertical digging depth	2400 mm
e	Max. digging reach	5050 mm
f	Max. digging reach at ground level	4910 mm
g	Min. swing radius	2055 mm
g	Min. swing radius (when boom swing)	1560 mm
h	Max. blade lift	360 mm
i	Max. blade depth	310 mm